

MOUNTING HOLES
0.16" DIAMETER

SMA-905 OPTICAL FIBER
CONNECTIONS

1/4"-28 FLUIDIC
TUBING CONNECTIONS

FIALab[®]

Fluidics Intelligently Automated

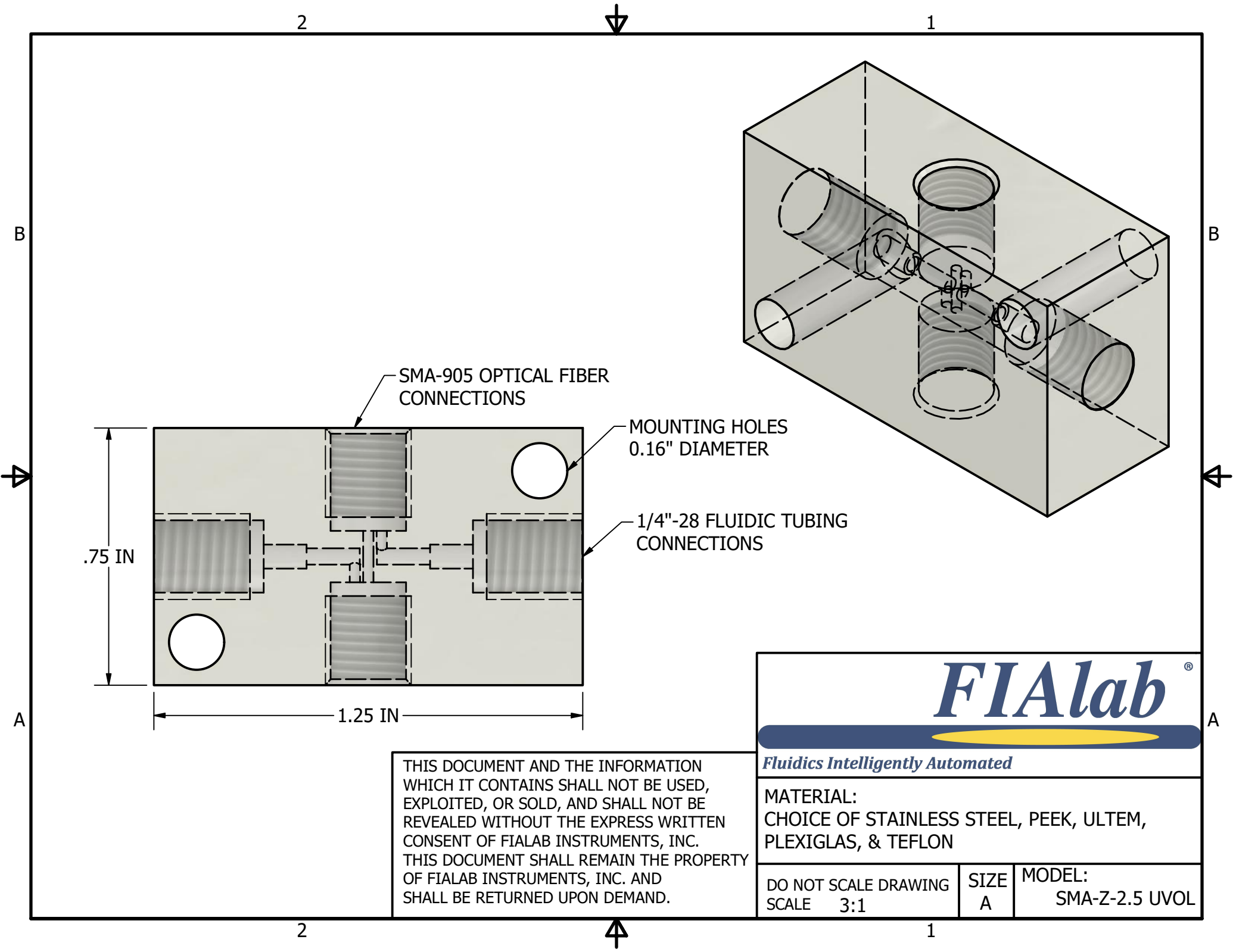
MATERIAL:
CHOICE OF STAINLESS STEEL, PEEK, ULTEM,
PLEXIGLAS, & TEFLON

THIS DOCUMENT AND THE INFORMATION WHICH IT CONTAINS SHALL NOT BE USED, EXPLOITED, OR SOLD, AND SHALL NOT BE REVEALED WITHOUT THE EXPRESS WRITTEN CONSENT OF FIALAB INSTRUMENTS, INC. THIS DOCUMENT SHALL REMAIN THE PROPERTY OF FIALAB INSTRUMENTS, INC. AND SHALL BE RETURNED UPON DEMAND.

DO NOT SCALE DRAWING
SCALE 3:1

SIZE
A

MODEL:
SMA-Z-2.5



SMA-905 OPTICAL FIBER CONNECTIONS

MOUNTING HOLES
0.16" DIAMETER

1/4"-28 FLUIDIC TUBING CONNECTIONS

.75 IN

1.25 IN

THIS DOCUMENT AND THE INFORMATION WHICH IT CONTAINS SHALL NOT BE USED, EXPLOITED, OR SOLD, AND SHALL NOT BE REVEALED WITHOUT THE EXPRESS WRITTEN CONSENT OF FIALAB INSTRUMENTS, INC. THIS DOCUMENT SHALL REMAIN THE PROPERTY OF FIALAB INSTRUMENTS, INC. AND SHALL BE RETURNED UPON DEMAND.

FIALab[®]

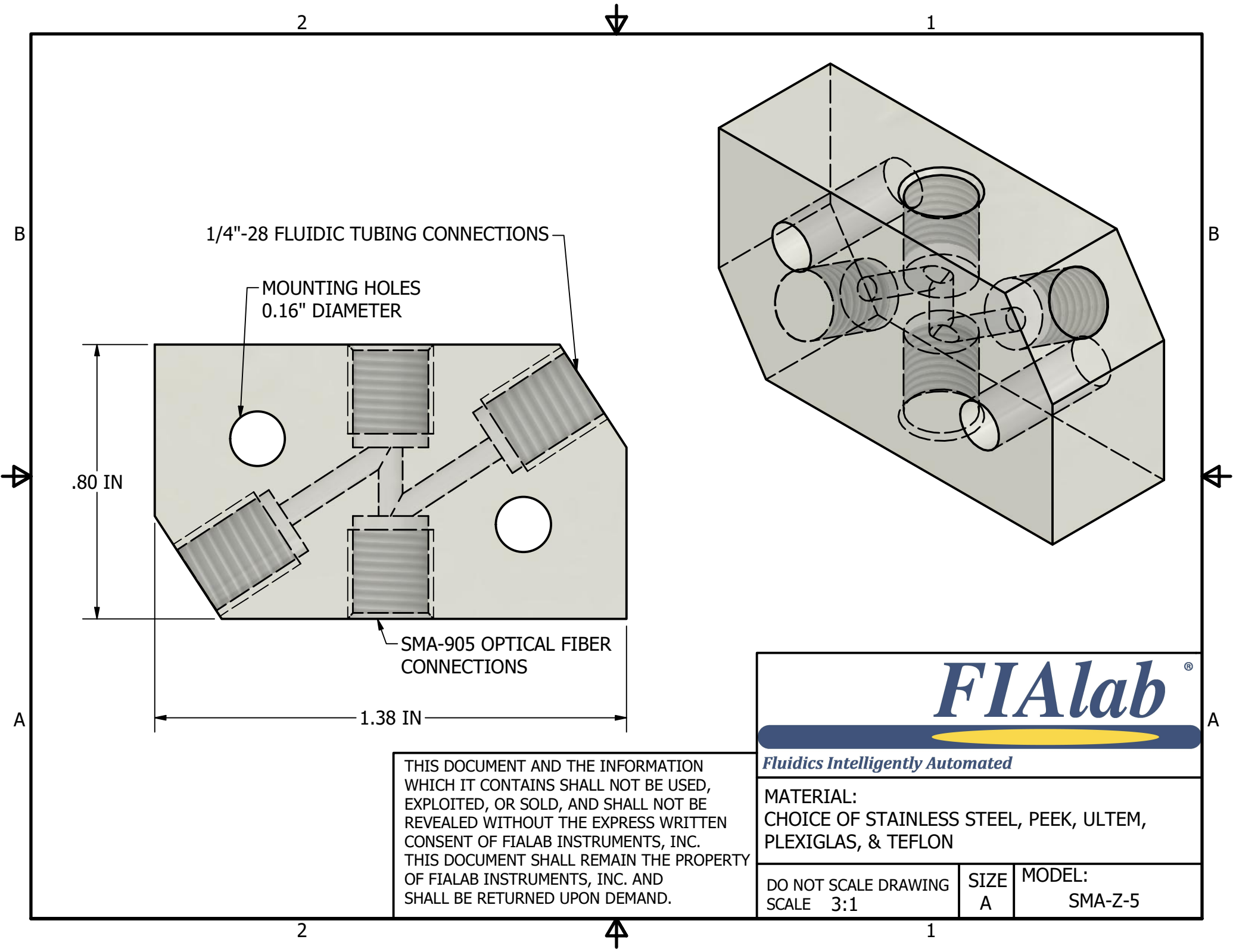
Fluidics Intelligently Automated

MATERIAL:
CHOICE OF STAINLESS STEEL, PEEK, ULTEM, PLEXIGLAS, & TEFLON

DO NOT SCALE DRAWING
SCALE 3:1

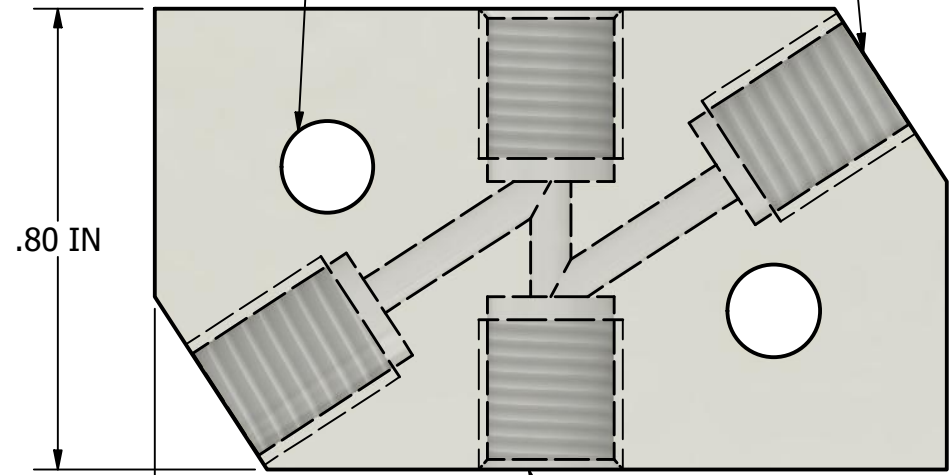
SIZE
A

MODEL:
SMA-Z-2.5 UVOL



1/4"-28 FLUIDIC TUBING CONNECTIONS

MOUNTING HOLES
0.16" DIAMETER



SMA-905 OPTICAL FIBER
CONNECTIONS

1.38 IN

.80 IN

THIS DOCUMENT AND THE INFORMATION WHICH IT CONTAINS SHALL NOT BE USED, EXPLOITED, OR SOLD, AND SHALL NOT BE REVEALED WITHOUT THE EXPRESS WRITTEN CONSENT OF FIALAB INSTRUMENTS, INC. THIS DOCUMENT SHALL REMAIN THE PROPERTY OF FIALAB INSTRUMENTS, INC. AND SHALL BE RETURNED UPON DEMAND.

FIALab[®]

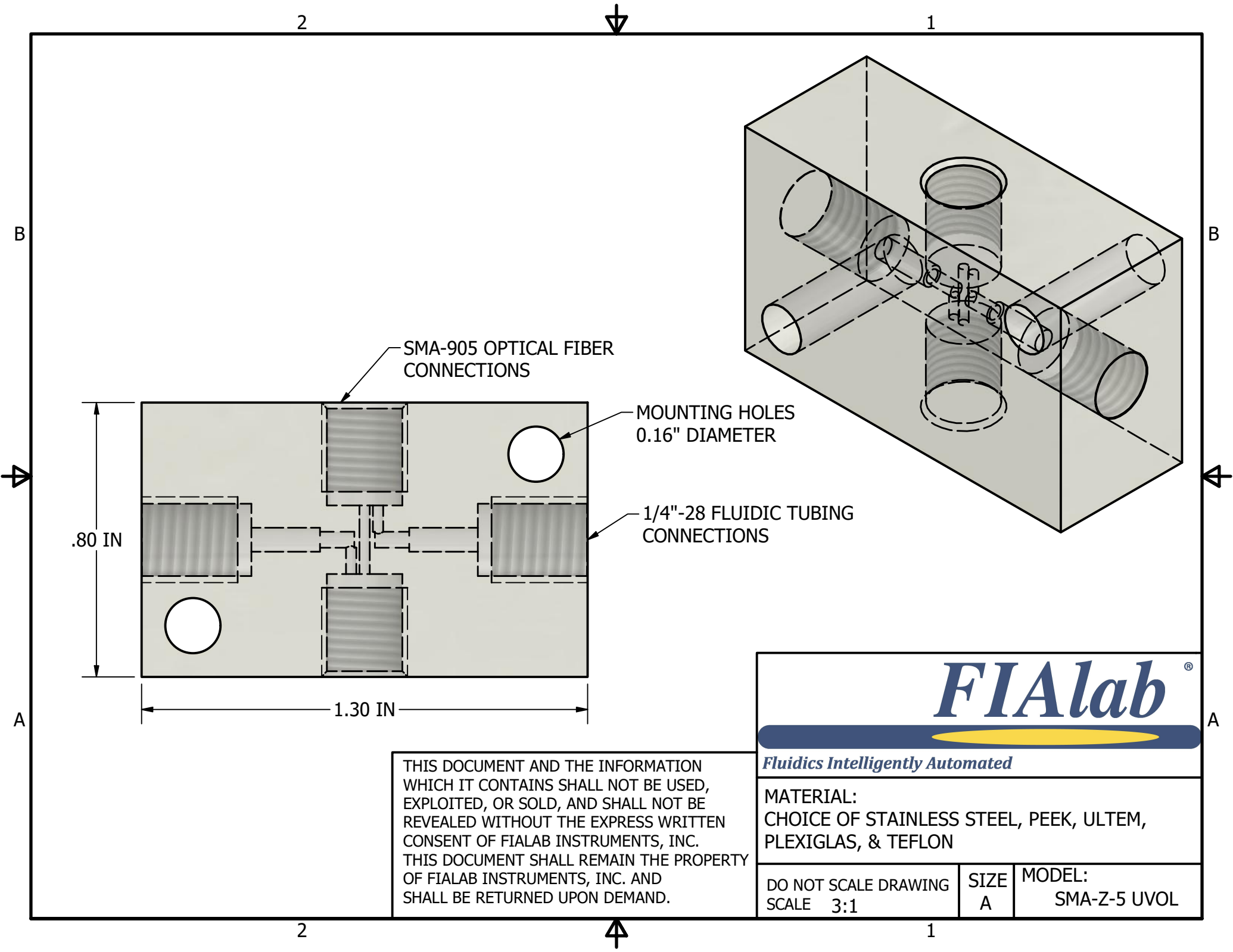
Fluidics Intelligently Automated

MATERIAL:
CHOICE OF STAINLESS STEEL, PEEK, ULTEM,
PLEXIGLAS, & TEFLON

DO NOT SCALE DRAWING
SCALE 3:1

SIZE
A

MODEL:
SMA-Z-5



2

1

B

B

SMA-905 OPTICAL FIBER CONNECTIONS

MOUNTING HOLES 0.16" DIAMETER

1/4"-28 FLUIDIC TUBING CONNECTIONS

.80 IN

1.30 IN

A

A

THIS DOCUMENT AND THE INFORMATION WHICH IT CONTAINS SHALL NOT BE USED, EXPLOITED, OR SOLD, AND SHALL NOT BE REVEALED WITHOUT THE EXPRESS WRITTEN CONSENT OF FIALAB INSTRUMENTS, INC. THIS DOCUMENT SHALL REMAIN THE PROPERTY OF FIALAB INSTRUMENTS, INC. AND SHALL BE RETURNED UPON DEMAND.

FIALab[®]

Fluidics Intelligently Automated

MATERIAL:
CHOICE OF STAINLESS STEEL, PEEK, ULTEM, PLEXIGLAS, & TEFLON

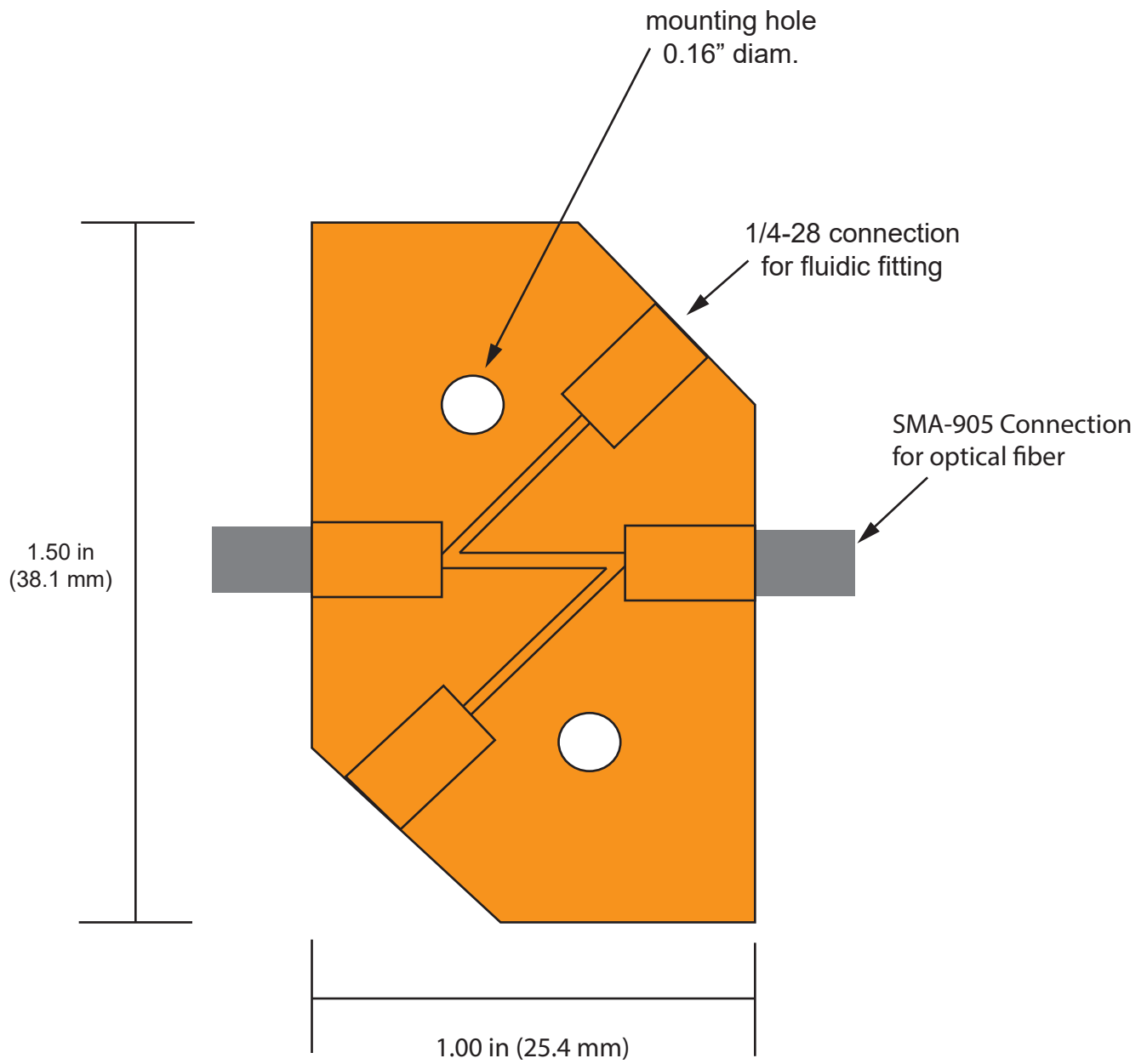
DO NOT SCALE DRAWING
SCALE 3:1

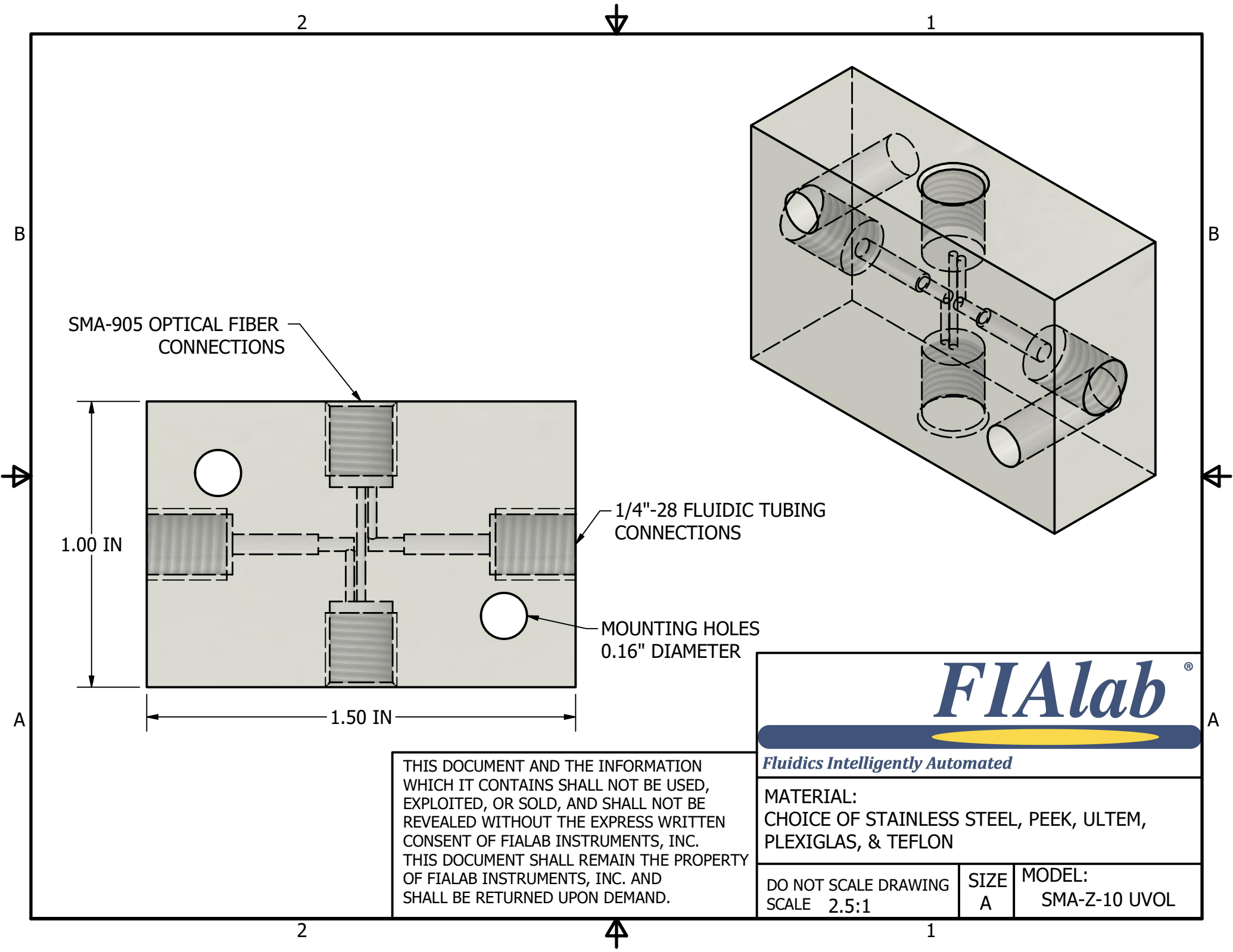
SIZE
A

MODEL:
SMA-Z-5 UVOL

2

1





SMA-905 OPTICAL FIBER CONNECTIONS

1.00 IN

1.50 IN

1/4"-28 FLUIDIC TUBING CONNECTIONS

MOUNTING HOLES 0.16" DIAMETER



Fluidics Intelligently Automated

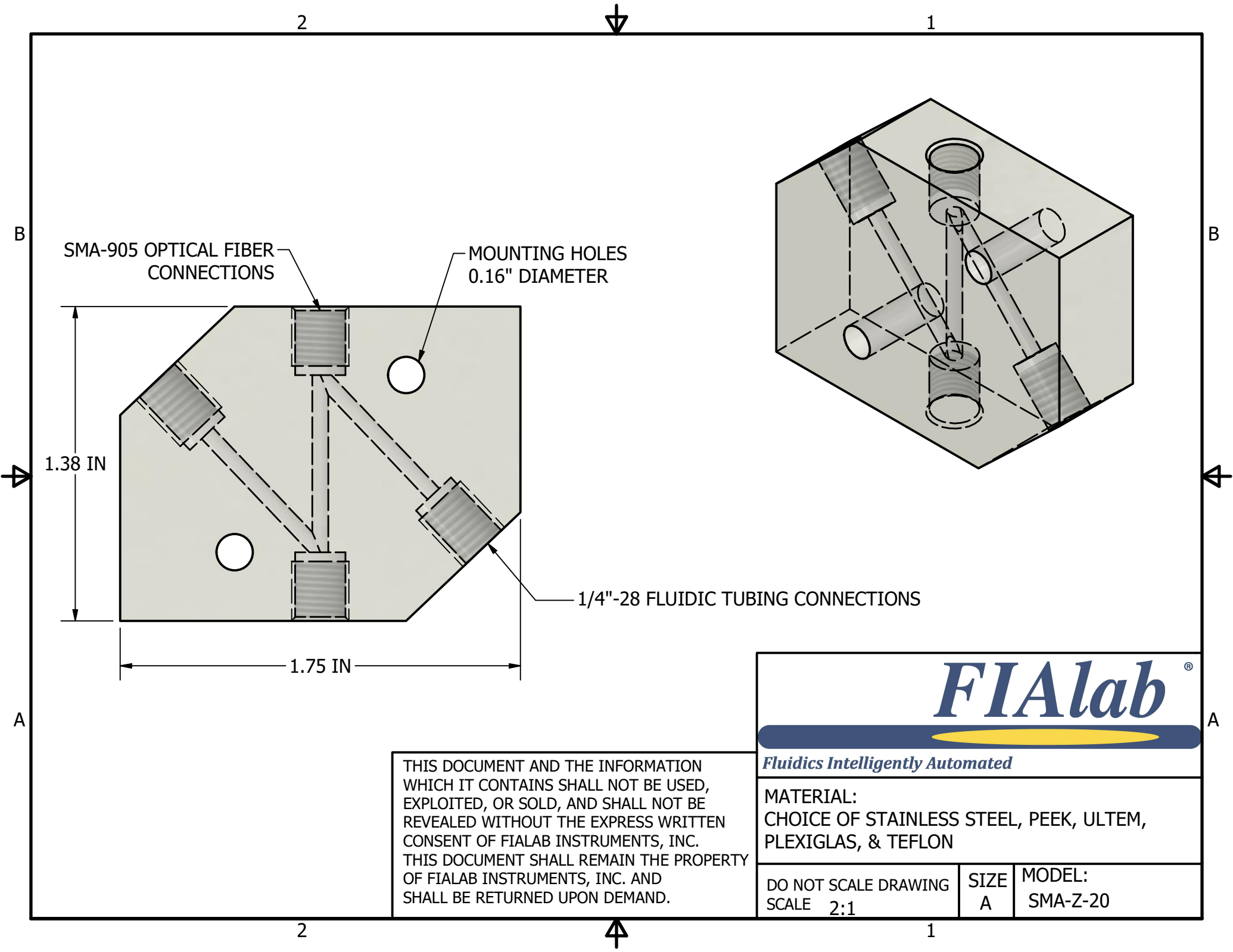
MATERIAL:
CHOICE OF STAINLESS STEEL, PEEK, ULTEM,
PLEXIGLAS, & TEFLON

DO NOT SCALE DRAWING
SCALE 2.5:1

SIZE
A

MODEL:
SMA-Z-10 UVOL

THIS DOCUMENT AND THE INFORMATION WHICH IT CONTAINS SHALL NOT BE USED, EXPLOITED, OR SOLD, AND SHALL NOT BE REVEALED WITHOUT THE EXPRESS WRITTEN CONSENT OF FIALAB INSTRUMENTS, INC. THIS DOCUMENT SHALL REMAIN THE PROPERTY OF FIALAB INSTRUMENTS, INC. AND SHALL BE RETURNED UPON DEMAND.



SMA-905 OPTICAL FIBER CONNECTIONS

MOUNTING HOLES 0.16" DIAMETER

1/4"-28 FLUIDIC TUBING CONNECTIONS

1.38 IN

1.75 IN

THIS DOCUMENT AND THE INFORMATION WHICH IT CONTAINS SHALL NOT BE USED, EXPLOITED, OR SOLD, AND SHALL NOT BE REVEALED WITHOUT THE EXPRESS WRITTEN CONSENT OF FIALAB INSTRUMENTS, INC. THIS DOCUMENT SHALL REMAIN THE PROPERTY OF FIALAB INSTRUMENTS, INC. AND SHALL BE RETURNED UPON DEMAND.

FIALab[®]

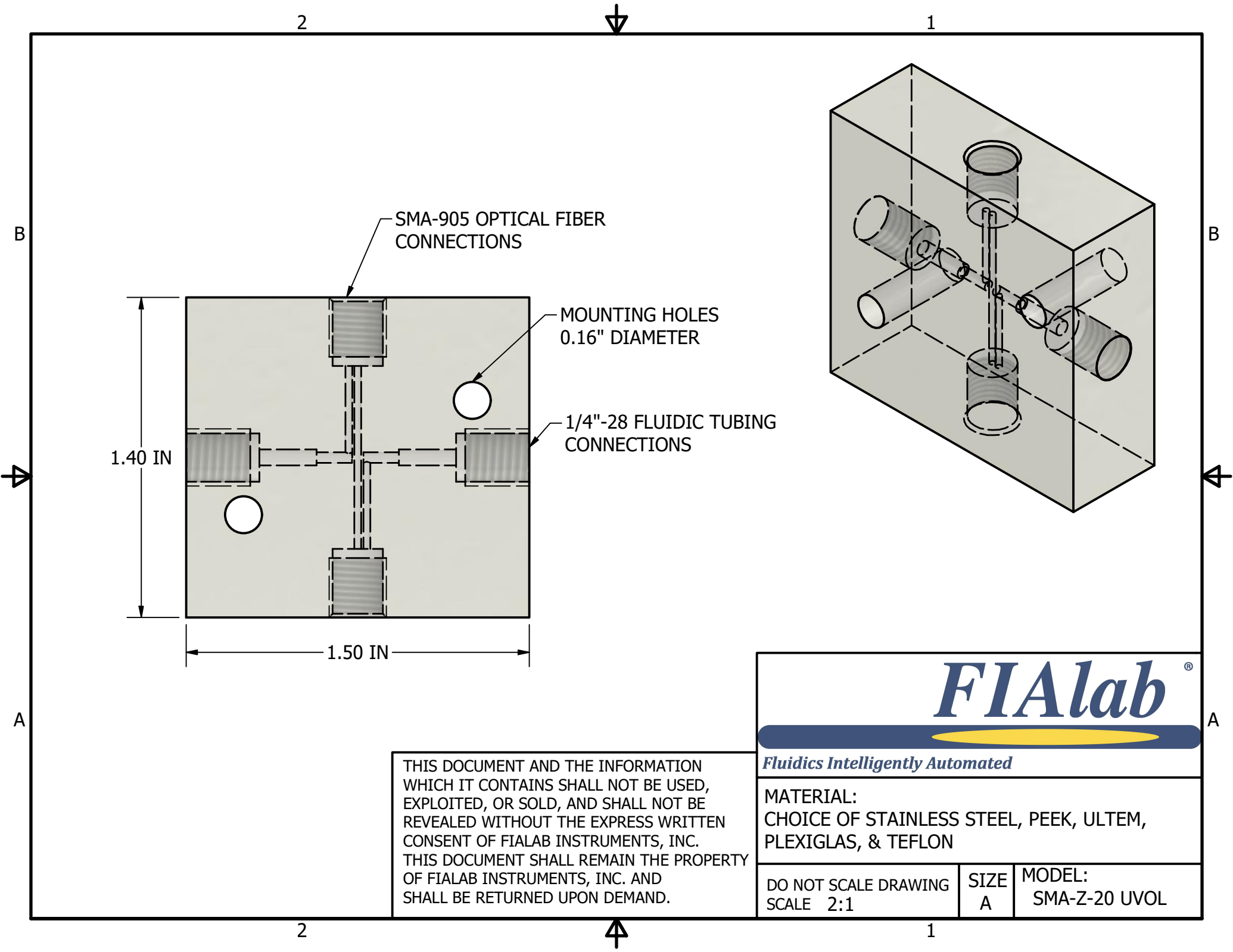
Fluidics Intelligently Automated

MATERIAL:
CHOICE OF STAINLESS STEEL, PEEK, ULTEM, PLEXIGLAS, & TEFLON

DO NOT SCALE DRAWING
SCALE 2:1

SIZE
A

MODEL:
SMA-Z-20



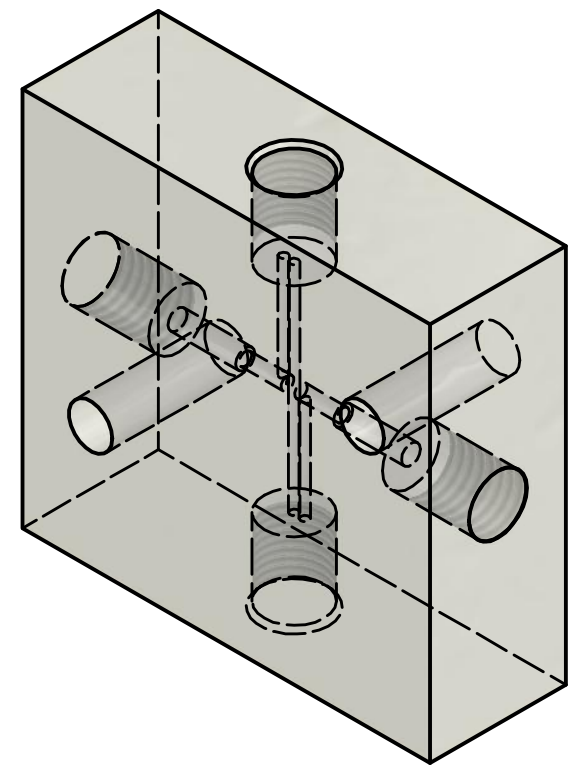
SMA-905 OPTICAL FIBER CONNECTIONS

MOUNTING HOLES 0.16" DIAMETER

1/4"-28 FLUIDIC TUBING CONNECTIONS

1.40 IN

1.50 IN



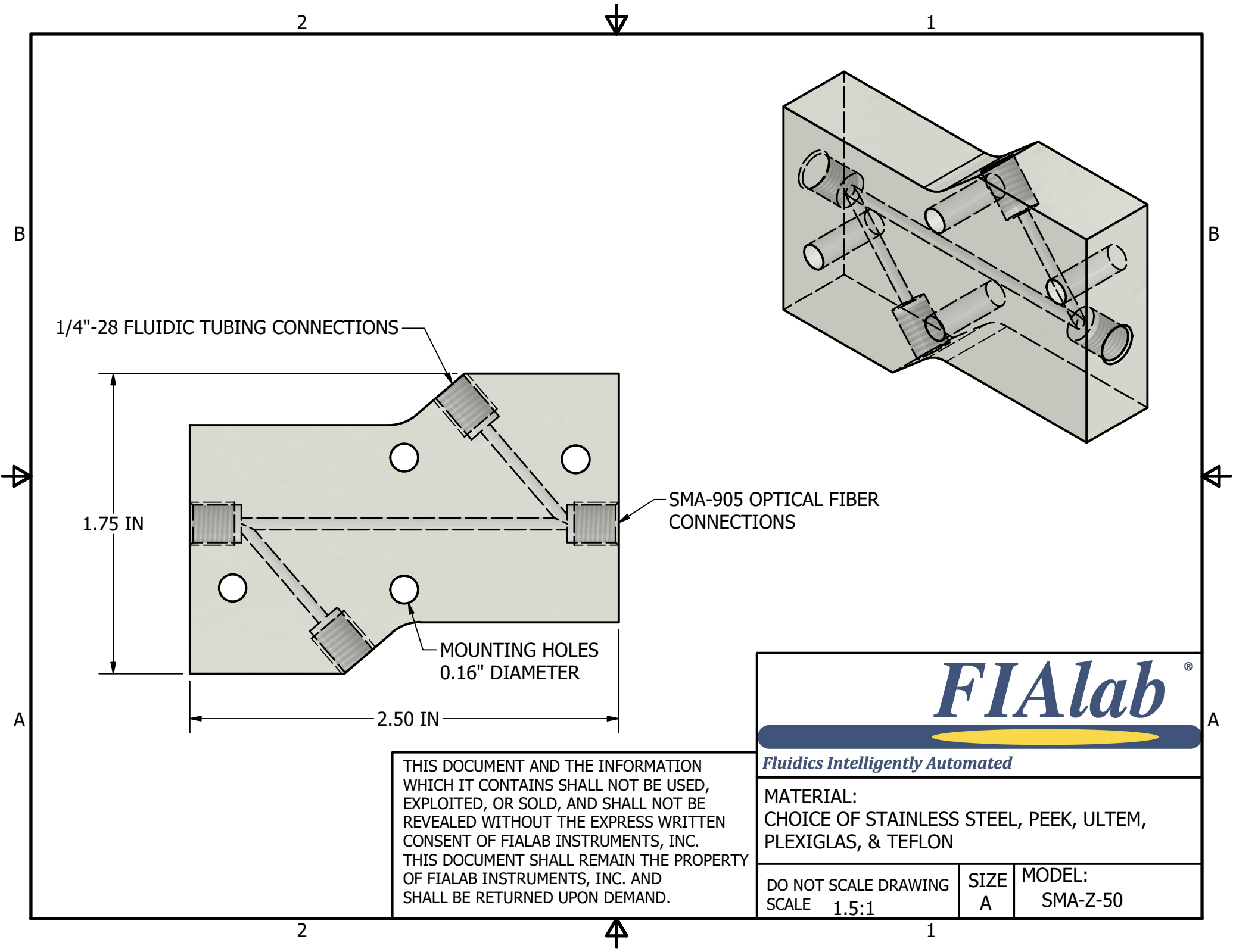
THIS DOCUMENT AND THE INFORMATION WHICH IT CONTAINS SHALL NOT BE USED, EXPLOITED, OR SOLD, AND SHALL NOT BE REVEALED WITHOUT THE EXPRESS WRITTEN CONSENT OF FIALAB INSTRUMENTS, INC. THIS DOCUMENT SHALL REMAIN THE PROPERTY OF FIALAB INSTRUMENTS, INC. AND SHALL BE RETURNED UPON DEMAND.

FIALab[®]

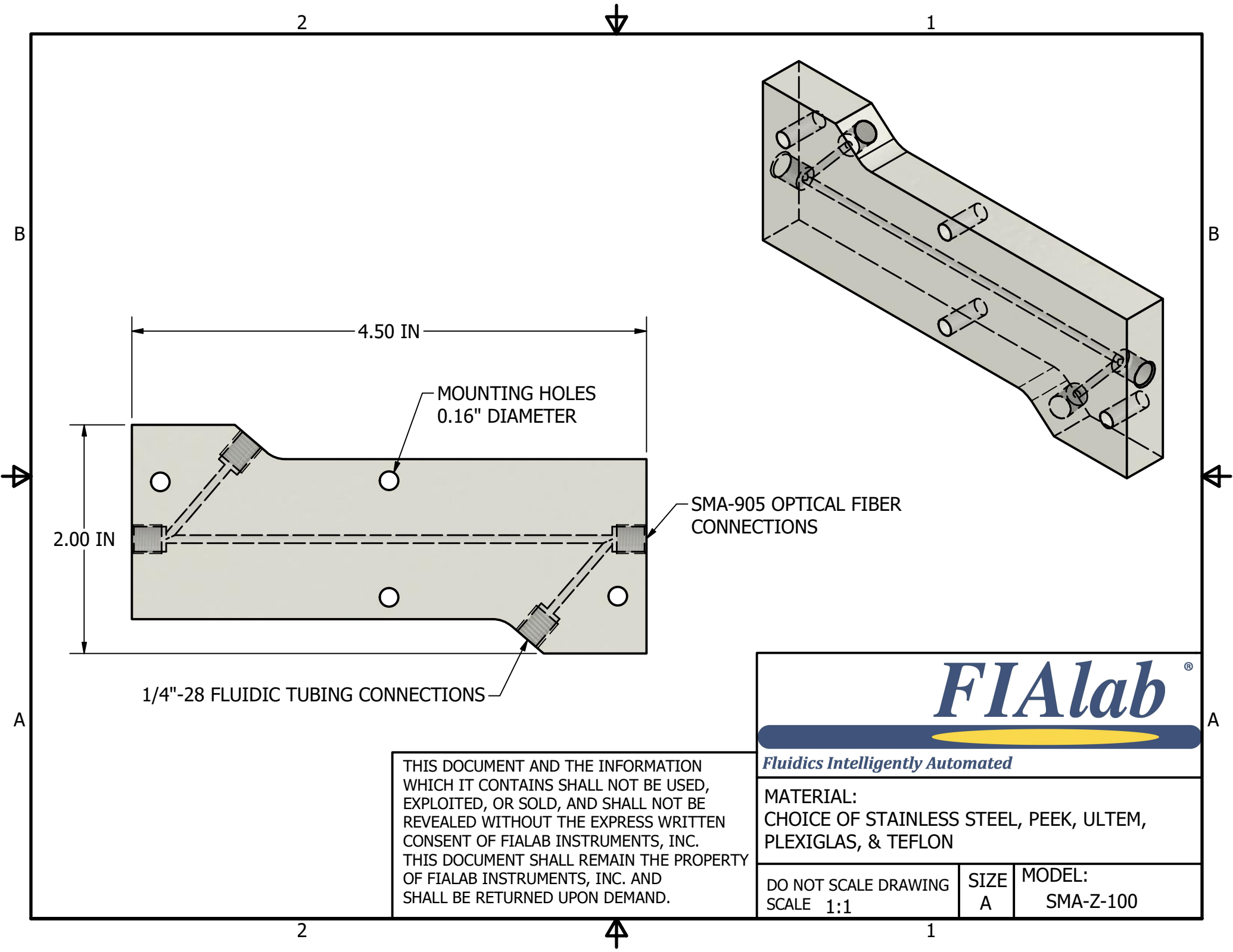
Fluidics Intelligently Automated

MATERIAL:
CHOICE OF STAINLESS STEEL, PEEK, ULTEM, PLEXIGLAS, & TEFLON

DO NOT SCALE DRAWING SCALE 2:1	SIZE A	MODEL: SMA-Z-20 UVOL
-----------------------------------	-----------	-------------------------



THIS DOCUMENT AND THE INFORMATION WHICH IT CONTAINS SHALL NOT BE USED, EXPLOITED, OR SOLD, AND SHALL NOT BE REVEALED WITHOUT THE EXPRESS WRITTEN CONSENT OF FIALAB INSTRUMENTS, INC. THIS DOCUMENT SHALL REMAIN THE PROPERTY OF FIALAB INSTRUMENTS, INC. AND SHALL BE RETURNED UPON DEMAND.



1/4"-28 FLUIDIC TUBING CONNECTIONS

MOUNTING HOLES
0.16" DIAMETER

SMA-905 OPTICAL FIBER
CONNECTIONS

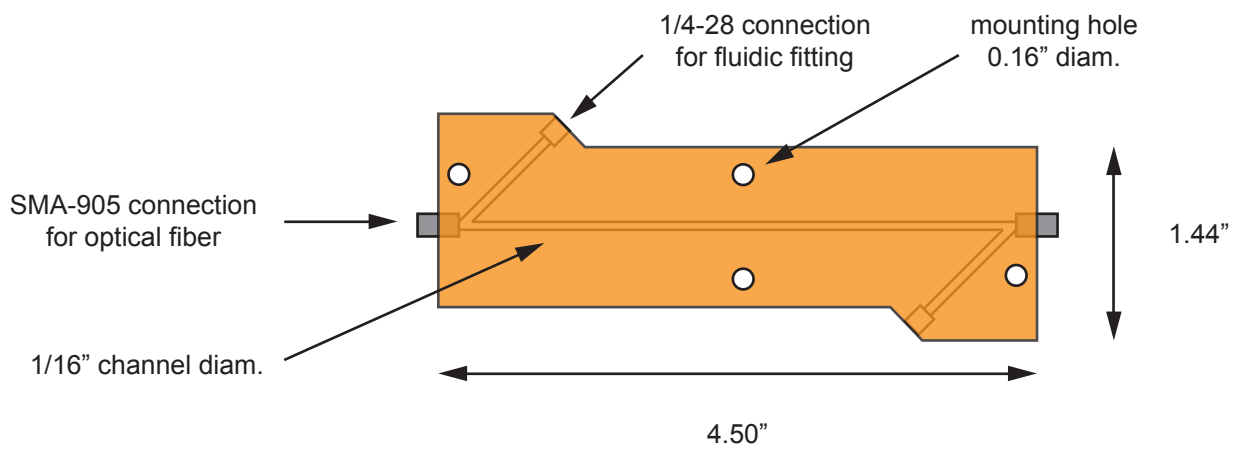
THIS DOCUMENT AND THE INFORMATION WHICH IT CONTAINS SHALL NOT BE USED, EXPLOITED, OR SOLD, AND SHALL NOT BE REVEALED WITHOUT THE EXPRESS WRITTEN CONSENT OF FIALAB INSTRUMENTS, INC. THIS DOCUMENT SHALL REMAIN THE PROPERTY OF FIALAB INSTRUMENTS, INC. AND SHALL BE RETURNED UPON DEMAND.



Fluidics Intelligently Automated

MATERIAL:
CHOICE OF STAINLESS STEEL, PEEK, ULTEM,
PLEXIGLAS, & TEFLON

DO NOT SCALE DRAWING SCALE 1:1	SIZE A	MODEL: SMA-Z-100
-----------------------------------	-----------	---------------------



Thickness: 0.50"